

# Recommended priming procedure for the BD Alaris™ Pump Module administration set

BD Alaris™ System



## Prepare the set

1. Close the roller clamp.
2. Spike and hang the fluid container.

**Note:** During an infusion, the primary container should be positioned appropriately above the top of the pump module. If possible, adjust the IV pole so the top of the fluid in the primary container is approximately 20" above the top of the pump module.

3. Gently squeeze the drip chamber until it is two-thirds full.
4. If container requires venting, open the vent cap on the set.
5. Open the roller clamp, and slowly prime the tubing. Priming slowly helps minimize turbulence that can form air bubbles.  
–If applicable, invert and tap the needle-free valve while the fluid passes to remove trapped air.
6. Close the roller clamp when priming is complete.

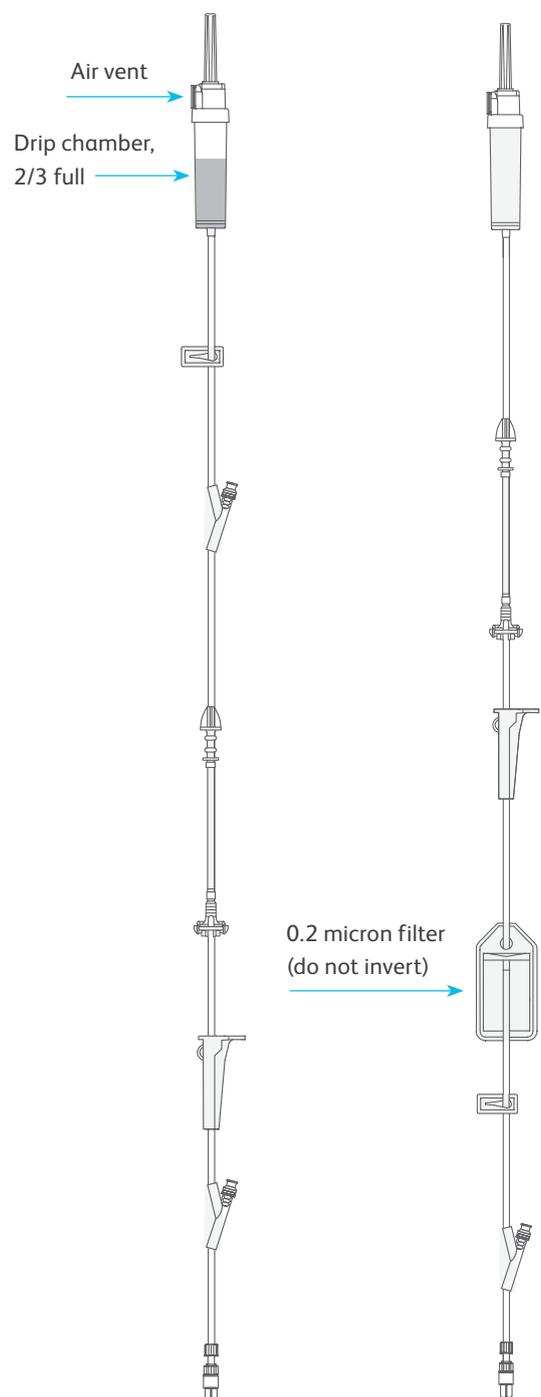
## Notes on priming

- Primary tubing sets have vented end caps that can be left in place during priming to keep the end of the set clean until use.

### Use the following instructions for proper set priming:

- Ensure the vent is closed whenever spiking a new bottle. If the vent is open, the fluid could wet the vent, which may slow or block the flow and cause air bubbles to form in the tubing. After priming the drip chamber, open the vent cap.
- If desired, use a syringe to aspirate air from the SmartSite™ Needle-Free Valves.
- When priming a set with a filter, do not invert the filter. Maintain the filter at or below the level of the vascular access site device while it is connected to the patient.

**Note:** For full instructions and associated warnings or precautions, refer to the set directions for use.



For product support, contact Customer Advocacy at **888.812.3266** or [customerfeedback@bd.com](mailto:customerfeedback@bd.com)

For technical support, contact Instrument Technical Support at **866.488.1408**.

For product orders, contact Customer Order Management at **800.482.4822**.

⚠ See reverse side for applicable warnings and cautions.

📖 For complete instructions, refer to the BD Alaris™ System User Manual at [bd.com](http://bd.com)



# Recommended priming procedure for the BD Alaris™ Pump Module administration set

## Warnings and cautions

### **WARNING**

#### **Administration sets:**

- Use only BD Alaris™ Pump Infusion administration sets. The use of any other set can cause improper instrument operation, resulting in an inaccurate fluid delivery or other potential hazard. For a list of compatible administration sets, please refer to the BD Alaris™ Pump Modules Set compatibility card.
- Discard if packaging is not intact or protector caps are unattached.

#### **When priming:**

- Ensure that administration set is not connected to patient.
- Ensure that air is expelled from line prior to beginning infusion (unexpelled air in line could have serious consequences).
- Failure to prime correctly can delay infusion delivery and cause the total volume to be infused to read higher than the actual total delivered to the patient.

BD, San Diego, CA, 92130, U.S.

[bd.com](https://www.bd.com)

